



Project \_\_\_\_\_  
 AIA # \_\_\_\_\_ SIS # \_\_\_\_\_  
 Item # \_\_\_\_\_ Quantity \_\_\_\_\_ C.S.I. Section 114000

## G-SERIES

### 3-Section Freezer Reach-In Self-Contained Solid Door(s)



#### STANDARD PRODUCT FEATURES

- High Performance, Energy Efficient Refrigeration System Using R-290
- Reliable Microprocessor Control With LED Temperature Display
- Evaporator Coil Outside Food Zone Provides More Usable Space
- Load-Sure Guard Prevents Problems From Improper Loading
- Durable All-Metal Construction
- Stainless Steel Front & Doors, Anodized Aluminum Sides & Interior
- Full or Half Height Door Models with a Variety of Hinging Configurations
- Long Life EZ-Clean Door Gaskets
- Three (3) Epoxy Coated Shelves Per Section (factory installed)
- Easy to Maintain Front Facing Condenser Coil
- 6" High Locking Casters

#### FIELD INSTALLED ACCESSORIES & OPTIONS

- Trayslides for 18" x 26" Sheet Pans
- Trayslides for 12" x 20" Food Pans
- Trayslides for 14" x 18" Sheet Pans
- Trayslides for 18" x 26", 12" x 20" & 14" x 18" Pans
- Additional Shelves
- Set of (4) 4 1/8" Casters in Lieu of Standard
- 6" High Legs



Intertek



This unit is listed to the applicable ETL and NSF Standards by an approved NRTL. Consult the factory or unit's data plate for approval information.

#### AVAILABLE CONFIGURATIONS

##### Half-Height Door Models

G31000  
 G31001  
 G31002  
 G31003

##### Hinging

Left/Right/Right  
 Left/Left/Right  
 Right/Right/Right  
 Left/Left/Left

##### Full-Height Door Models

G31010  
 G31011  
 G31012  
 G31013

##### Hinging

Left/Right/Right  
 Left/Left/Right  
 Right/Right/Right  
 Left/Left/Left

**\*Please refer to the G-Series Accessory Kit Guide for precise details. (Form TR35872)**

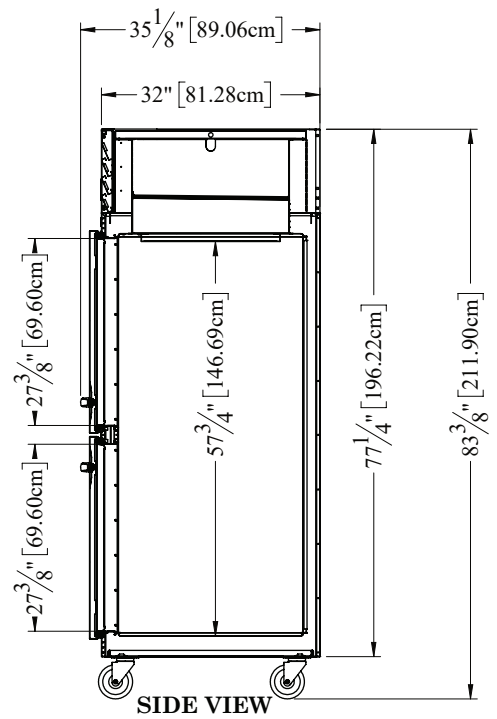
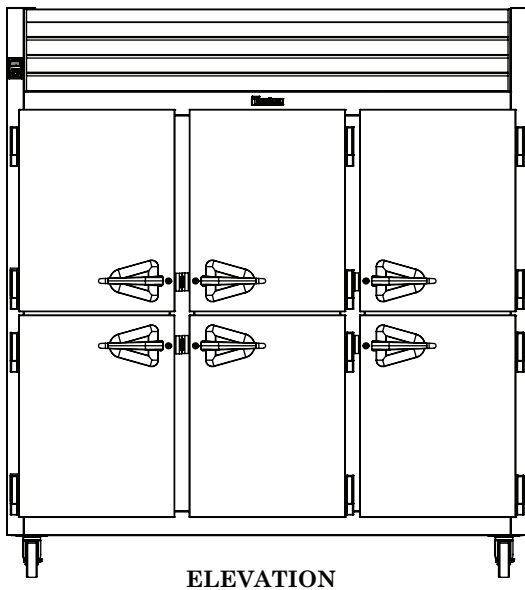
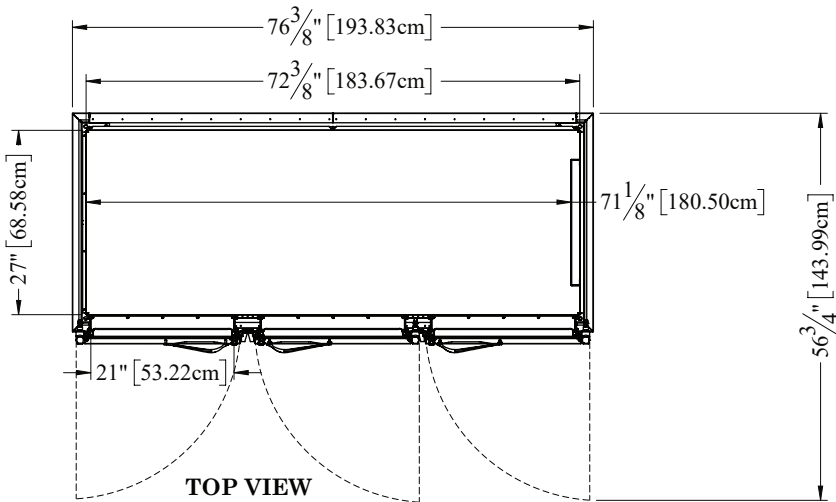
**-GUARANTEED FOR LIFE CAM-LIFT HINGES**

**-GUARANTEED FOR LIFE HORIZONTAL WORKFLOW DOOR HANDLES (SOLID DOORS ONLY)**

Approved by \_\_\_\_\_ Date \_\_\_\_\_ Approved by \_\_\_\_\_ Date \_\_\_\_\_

## MODELS

Half Height Door Models: G31000, G3101, G31002, G31003

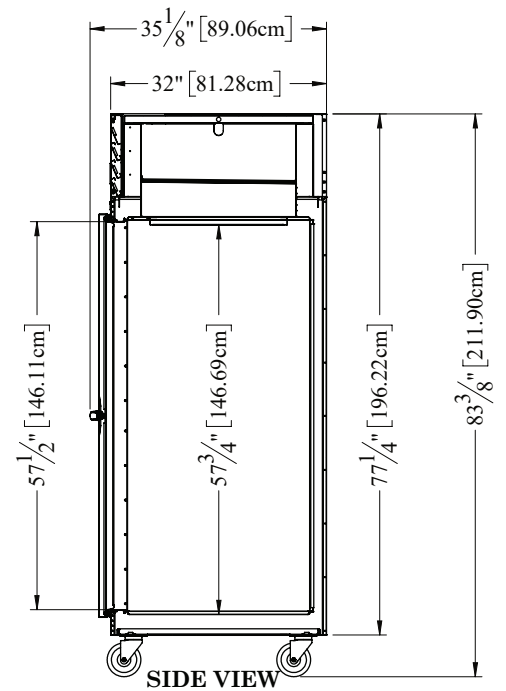
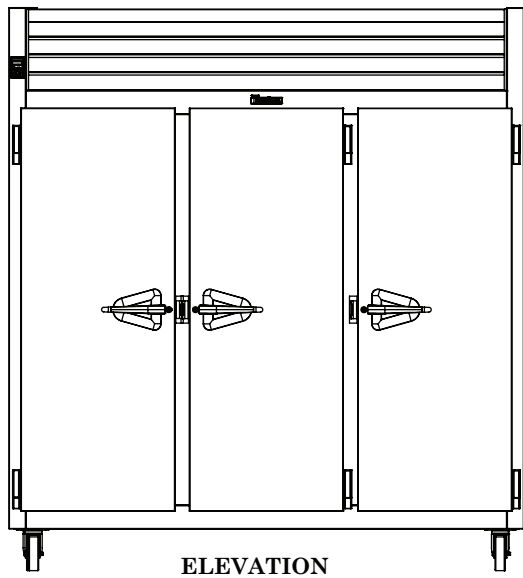
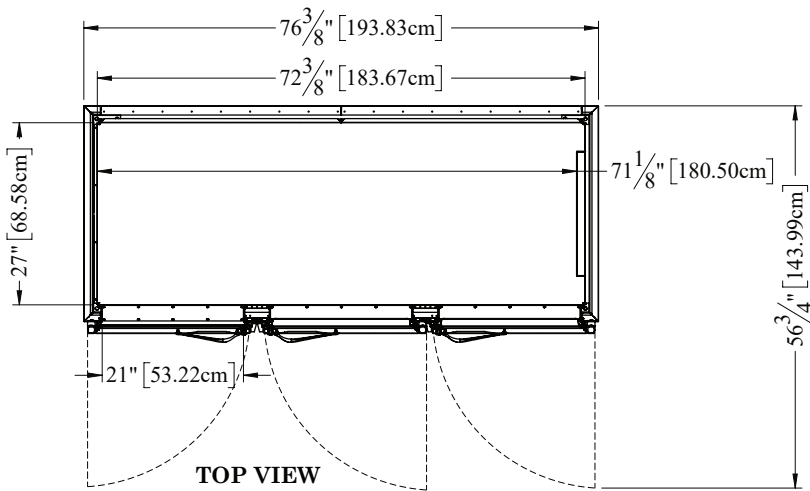


# G-SERIES

## 3-Section Freezer Reach-In Self-Contained Solid Door(s)

### MODELS

Full Height Door Models: G31010, G31011, G31012, G31013





**MODELS**

Half Height Door Models: G31000, G31001, G31002, G31003

Full Height Door Models: G31010, G31011, G31012, G31013

**EQUIPMENT SPECIFICATIONS**

MODELS	G310__
<b>DIMENSIONAL DATA</b>	
Net Capacity cu. ft. <sup>1</sup>	69.15 (1958 l)   69.35 (1964 l)
Length- overall in.	76 <sup>3</sup> / <sub>8</sub> " (193.8 cm)
Depth - overall in.	35 <sup>1</sup> / <sub>8</sub> " (89.1 cm)
Depth - over body in.	32" (81.3 cm)
Depth - door open 90° in.	56 <sup>3</sup> / <sub>8</sub> " (144 cm)
Clear door width in.	21" (53.2 cm)
Clear half-door height in.	27 <sup>3</sup> / <sub>8</sub> " (69.6 cm)
Clear full-door height in.	57 <sup>1</sup> / <sub>2</sub> " (146.1 cm)
Height - overall on 6" legs in. <sup>2</sup>	83 <sup>3</sup> / <sub>8</sub> " (211.9 cm)
No. Standard Shelves	9
Shelf Area sq. ft. <sup>3</sup>	51.9 (4.82 sq m)
<b>ELECTRICAL DATA</b>	
Voltage   Plug	115/60/1   NEMA 5-15P (attached)
Feed wires with ground	3
Full Load Amperes   KWH/24HR <sup>4</sup>	13.1   13.2
<b>REFRIGERATION DATA</b>	
Refrigerant	R-290
Refrigerant Charge oz.	3.8 (107.7 g) per system
BTU/HR   H.P. <sup>5</sup>	4400   1/2 HP per system
<b>SHIPPING DATA</b>	
Length - Crated in.	91" (231 cm)
Depth - Crated in.	42" (107 cm)
Height - Crated in.	85" (216 cm)
Volume - Crated cu. ft.	188 (5324 l)
Weight - Crated lbs.	700 (318 kg)

**CONSTRUCTION, HARDWARE, INSULATION**

Cabinet exterior front, louver assembly and door(s) are constructed of heavy gauge stainless steel. Cabinet sides (including returns), interior and door liners are constructed of anodized aluminum. The exterior cabinet top, back and bottom are constructed of heavy gauge galvanized steel. A set of four (4) 6" high locking casters are included.

Doors are equipped with a gasket protecting, raised metal door pan, cylinder locks, and guaranteed for life self-closing cam-lift hinges with a stay open feature at 120 degrees. Hinges include a concealed switch to automatically activate the interior LED lighting. Guaranteed for life, metal work flow door handles are mounted horizontally over recess in door which limits protrusion into aisle ways.

Gasket profile and durable long life material simplify cleaning and increase overall gasket life. Anti-condensate heaters are located behind each door opening. Both the cabinet and door(s) are insulated with an average of 2" thick high density, non-CFC, 100% foamed in place polyurethane.

**SELF-CONTAINED REFRIGERATION SYSTEM**

Two (2) top mounted, self-contained, balanced refrigeration systems using environmentally-friendly, low GWP R-290 refrigerant are conveniently located behind the one piece louver assembly. Each system features an easy to clean front facing condenser, thermostatic expansion valve metering device, air-cooled hermetic compressor, large, high humidity evaporator coil located outside the food zone and a top mounted non-electric condensate evaporator. A 9' cord and plug is provided. Standard operating temperature is 0° to -5°F and can be adjusted to operate as low as -10°F in a 90°F or less ambient.

**CONTROL**

The easy to use water resistant microprocessor control is supplied standard. It includes a 3-Digit LED Display, and a Fahrenheit or Celsius Temperature Scale Display Capability.

**INTERIOR ARRANGEMENTS**

Standard interior arrangements include three (3) epoxy coated steel wire shelves per section, mounted on shelf pins, installed at the factory. Shelves are full-width, and do not have any large gaps between them requiring the use of "bridge" or "junior shelves." Recommended load limit per shelf should not exceed 225 lbs.

**DOMESTIC WARRANTY**

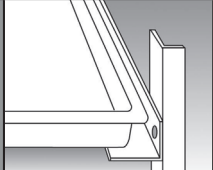
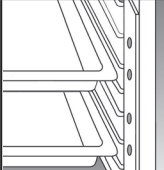
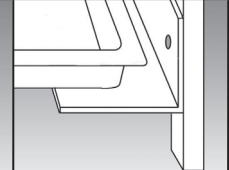
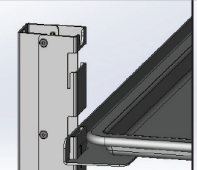
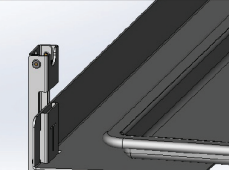
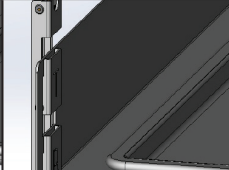
Both a six year parts and labor warranty and an additional one year compressor parts warranty (for a total of seven on self-contained models) are provided standard.

When ordering please specify: Voltage, Hinging, and Options.

Equipped with one NEMA 5-15P Plug 

**NOTES:**

1. Net Capacity cu. ft. = Half Height Door | Full Height Door models.
2. 12" Top clearance preferred for optimum performance & service access.
3. Figure shown reflects the area of standard shelf compliment.
4. KWH/24HR = Kilowatt usage per 24 hours
5. Based on a 90°F ambient and -20°F evaporator.

OPTIONAL ACCESSORY TRAYSLIDE VERSATILITY CHART						
TRAYSLIDE DRAWINGS						
TRAYSLIDE OFFERING	#1 (1) 18" x26" or (2) 14"x18"	#4 (Rod Type) (1) 18" x26"	Universal (1) 18" x26" or (2) 14"x18" or (2) 12"x20"	#1 EZ-Change (1) 18" x26" or (2) 14"x18"	Universal EZ-Change (1) 18" x26" or (2) 14"x18" or (2) 12"x20"	HD Universal EZ-Change (1) 18" x26" or (2) 14"x18" or (2) 12"x20"
SPACING CAPACITY DOOR SIZE	2" 28 Pairs Full Door & 13 Half 3" 19 Pairs Full Door & 09 Half 4" 14 Pairs Full Door & 07 Half 5" 11 Pairs Full Door & 05 Half	1 1/2" 38 Pairs Full Door (2 Pair) 1 1/2" 18 Pairs Half Door (1 Pair)	4" 14 Pairs Full Door & 06 Half <sup>1</sup> 4" 14 Pairs Full Door & 07 Half <sup>2</sup> 5" 11 Pairs Full Door & 05 Half 6" 09 Pairs Full Door & 04 Half	2" 26 Pairs Full Door & 12 Half 4" 13 Pairs Full Door & 06 Half	2 1/4" 22 Pairs Full Door & 11 Half 4 1/2" 11 Pairs Full Door & 05 Half	4 1/2" 11 Pairs Full Door & 05 Half 9" 05 Pairs Full Door & 02 Half

- Upper Half Height Door<sup>1</sup>
- Lower Half Height Door<sup>2</sup>

CONTINUED PRODUCT DEVELOPMENT MAY NECESSITATE SPECIFICATION CHANGES WITHOUT NOTICE.